



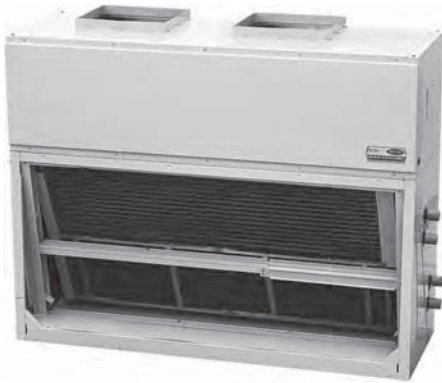
40RBW Series

Packed Chilled Water Air Handling Unit

111,180 - 490,790 BTUH



40RBW Series



Only the 40RBW Series offers you

Versatility

- Full line of packaged unit 10-43 tons.
- Choice of air discharge arrangements
- Free blow or with ductwork

Adaptability

- Ceiling suspended or floor mounted
- Attractive appearance for use in the space

Dependable Carrier Quality

- Efficient coil surface
- Rugged modular construction
- Quiet, belt-drive centrifugal fans

40RBW Series - The industry's most complete line of packaged chilled water air handling unit

Specify Carrier **40RBW Series** packaged chilled water air handling units for commercial in-the-space application in factories warehouses offices or stores if a source of chilled water is available, you can't afford to overlook the versatile packaged units of the 40RBW Series.

These attractive unit are available in 8 popular sizes. Covering 4,000-13,000 cfm. range with nominal cooling capacities from 10.3 tons.

Floor mounted or ceiling suspended. Units are real space savers. Their narrow width (less than 3-ft) makes them easy to get into existing spaces.

Cooling coils are constructed of copper tubes with mechanically corrugate fins. Offering efficient high heat transfer surface that's built with years of dependable service in mind.

The smooth finish baked enamel cabinets are fabricated of rugged. Heavy-gage galvanized steel. Belt-drive centrifugal fans move large volumes of air quietly and efficiently may be used with ductwork or for free blow (direct discharge) into the conditioned space.

Yes, if you're looking for the most in versatility and operating performance in packaged chilled water air handling units. Look to the 40RBW Series. From Carrier of course.

Model Nomenclature

| Digit no. | 1 | 2 | 3 | 4 | 5 | 6 | 7 | 8 | 9 | 10 | 11 | 12 |
|-----------|---|---|---|---|---|---|---|---|---|----|----|----|
| Model | 4 | 0 | R | B | W | 0 | 3 | 0 | - | 3 | R | H |

Chilled water air handling unit, 40RBW Series

H = Horizontal Unit, V = Vertical Unit

R = Right Hand Coil, L = Left Hand Coil

Unit size = 012, 015, 018, 021, 024, 027, 030, 033, 036, 040

3 = 3 Rows coil, 4 = 4 Rows coil

Physical data

| Model | | Packaged Chilled Water Air Handling Unit | | | | | | | | | |
|--------------------|------------------------------------|------------------------------------------|----------------|----------------|----------------|----------------|----------------|----------------|----------------|----------------|----------------|
| | | 40RBW | | | | | | | | | |
| Normal Capacity | | 012-3 | 012-4 | 015-3 | 015-4 | 018-3 | 018-4 | 021-3 | 021-4 | 024-3 | 024-4 |
| Cooling Capacity * | btu/h | 128,200 | 157,470 | 162,710 | 193,190 | 191,450 | 228,950 | 225,650 | 268,010 | 258,320 | 307,410 |
| Air Flowrate ** | cfm | 4,000 | 4,000 | 5,100 | 5,100 | 6,000 | 6,000 | 7,000 | 7,000 | 8,000 | 8,000 |
| Operating Weight | kg | 210 | 220 | 270 | 280 | 270 | 290 | 380 | 400 | 390 | 410 |
| Cooling Coil | Coil Arrangement | 3/14 | 4/14 | 3/14 | 4/14 | 3/14 | 4/14 | 3/14 | 4/14 | 3/14 | 4/14 |
| | Coil Face Area | 8.19 | 8.19 | 10.51 | 10.51 | 12.33 | 12.33 | 14.49 | 14.49 | 16.49 | 16.49 |
| | Coil / Fin Material | Cu/Al | Cu/Al | Cu/Al | Cu/Al | Cu/Al | Cu/Al | Cu/Al | Cu/Al | Cu/Al | Cu/Al |
| | No. of circuit | 1 | 1 | 1 | 1 | 1 | 1 | 1 | 1 | 1 | 1 |
| Fan | Fan Size | 10"x10" | 10"x10" | 12"x12" | 12"x12" | 12"x12" | 12"x12" | 15"x15" | 15"x15" | 15"x15" | 15"x15" |
| | Fan Q'ty | 2 | 2 | 2 | 2 | 2 | 2 | 2 | 2 | 2 | 2 |
| | Standard speed | 789 | 789 | 715 | 715 | 794 | 794 | 629 | 629 | 629 | 629 |
| Motor | Standard motor size | 2 | 2 | 3 | 3 | 3 | 3 | 3 | 3 | 5 | 5 |
| | Standard Motor speed | 1420 | 1420 | 1430 | 1430 | 1430 | 1430 | 1410 | 1410 | 1410 | 1410 |
| Accessories | Fan Pulley | 225-1B-25 | 225-1B-25 | 250-1B-30 | 250-1B-30 | 225-1B-30 | 225-1B-30 | 280-1B-30 | 280-1B-30 | 280-1B-30 | 280-1B-30 |
| | Motor Pulley | 125-1B-24 | 125-1B-24 | 125-1B-28 | 125-1B-28 | 125-1B-28 | 125-1B-28 | 125-1B-28 | 125-1B-28 | 125-1B-28 | 125-1B-28 |
| | Belt | B-48 | B-48 | B-54 | B-54 | B-52 | B-52 | B-44 | B-44 | B-44 | B-44 |
| | Belt Q'ty | 1 | 1 | 1 | 1 | 1 | 1 | 1 | 1 | 1 | 1 |
| Insulation | Type | PE Foam | | | | | | | | | |
| | Thermal Conductivity | 0.036 w/m.K | | | | | | | | | |
| | Thickness | 10 | | | | | | | | | |
| Air Filter | Type | Washable Aluminium Filter | | | | | | | | | |
| | Q'ty ... Size | 1...10"x22"x1" | 1...10"x22"x1" | 2...10"x22"x1" | 2...10"x22"x1" | 2...10"x22"x1" | 2...10"x22"x1" | 2...10"x22"x1" | 2...10"x22"x1" | 2...10"x22"x1" | 2...10"x22"x1" |
| | (Width x Height x Thickness) | 1...16"x25"x1" | 1...16"x25"x1" | 1...10"x25"x1" | 1...10"x25"x1" | 1...10"x25"x1" | 1...10"x25"x1" | 1...10"x25"x1" | 1...10"x25"x1" | 1...10"x25"x1" | 1...10"x25"x1" |
| | | 1...16"x25"x1" | 1...16"x25"x1" | 2...16"x22"x1" | 2...16"x22"x1" | 2...16"x22"x1" | 2...16"x22"x1" | 2...16"x22"x1" | 2...16"x22"x1" | 2...16"x22"x1" | 2...16"x22"x1" |
| | | 1...10"x25"x1" | 1...10"x25"x1" | 1...16"x25"x1" | 1...16"x25"x1" | 1...16"x25"x1" | 1...16"x25"x1" | 1...16"x25"x1" | 1...16"x25"x1" | 1...16"x25"x1" | 1...16"x25"x1" |
| Pipe Connection | Chilled water inlet | 1...1-1/4" | 1...1-1/4" | 1...1-1/4" | 1...1-1/4" | 1...1-1/4" | 1...1-1/4" | 1...1-1/2" | 1...1-1/2" | 1...1-1/2" | 1...1-1/2" |
| | Chilled water outlet | 1...1-1/4" | 1...1-1/4" | 1...1-1/4" | 1...1-1/4" | 1...1-1/4" | 1...1-1/4" | 1...1-1/2" | 1...1-1/2" | 1...1-1/2" | 1...1-1/2" |
| | Chilled water pipe connection type | Male Pipe Thread | | | | | | | | | |
| | Condensate drain dia. | 3/4" | 3/4" | 3/4" | 3/4" | 3/4" | 3/4" | 1" | 1" | 1" | 1" |
| | Condensate drain connection type | Female Pipe Thread | | | | | | | | | |

Remark : ** Nominal capacity base on air ent 80 Fdb-67 Fwb, Ent/Lvg water temp. 44/54 F, Max Air Flow rate.

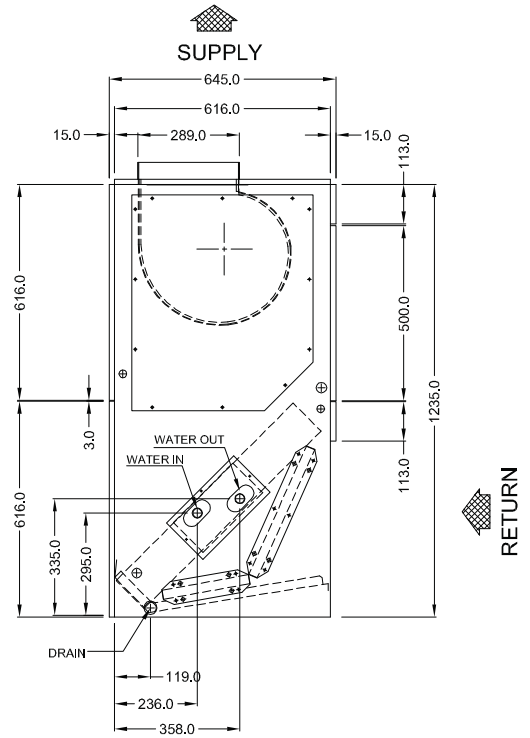
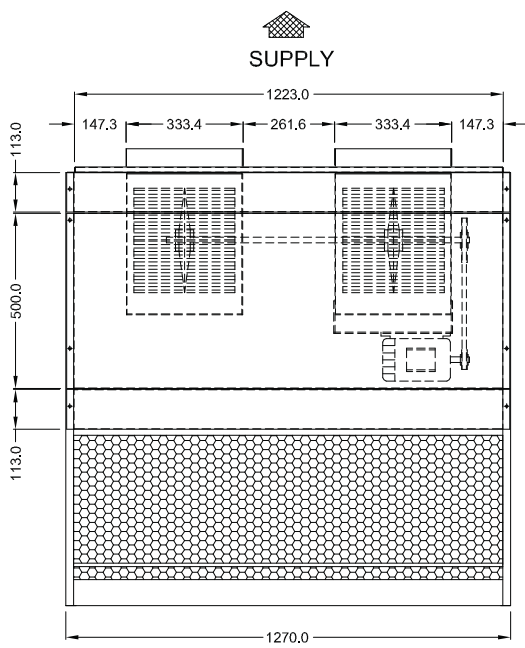
Physical data

| Model | | Packaged Chilled Water Air Handling Unit | | | | | | | | | |
|--------------------|------------------------------------|------------------------------------------|----------------|----------------|----------------|----------------|----------------|----------------|----------------|----------------|----------------|
| | | 40RBW | | | | | | | | | |
| Normal Capacity | | 027-3 | 027-4 | 030-3 | 030-4 | 033-3 | 033-4 | 036-3 | 036-4 | 040-3 | 040-4 |
| Cooling Capacity * | btu/h | 290,490 | 345,470 | 337,550 | 404,340 | 356,500 | 427,140 | 392,970 | 470,060 | 428,120 | 518,000 |
| Air Flowrate ** | cfm | 9,000 | 9,000 | 10,400 | 10,400 | 11,000 | 11,000 | 12,100 | 12,100 | 13,000 | 13,000 |
| Operating Weight | kg | 400 | 420 | 530 | 560 | 540 | 570 | 550 | 580 | 560 | 590 |
| Cooling Coil | Coil Arrangement | 3/14 | 4/14 | 3/14 | 4/14 | 3/14 | 4/14 | 3/14 | 4/14 | 3/14 | 4/14 |
| | Coil Face Area | 18.49 | 18.49 | 21.53 | 21.53 | 22.69 | 22.69 | 25.02 | 25.02 | 26.76 | 26.76 |
| | Coil / Fin Material | Cu/Al | Cu/Al | Cu/Al | Cu/Al | Cu/Al | Cu/Al | Cu/Al | Cu/Al | Cu/Al | Cu/Al |
| | No. of circuit | 1 | 1 | 2 | 2 | 2 | 2 | 2 | 2 | 2 | 2 |
| Fan | Fan Size | 15"x15" | 15"x15" | 18"x18" | 18"x18" | 18"x18" | 18"x18" | 18"x18" | 18"x18" | 18"x18" | 18"x18" |
| | Fan Q'ty | 2 | 2 | 2 | 2 | 2 | 2 | 2 | 2 | 2 | 2 |
| | Standard speed | 705 | 705 | 641 | 641 | 641 | 641 | 683 | 683 | 683 | 683 |
| Motor | Standard motor size | 5 | 5 | 7.5 | 7.5 | 7.5 | 7.5 | 7.5 | 7.5 | 7.5 | 7.5 |
| | Standard Motor speed | 1410 | 1410 | 1435 | 1435 | 1435 | 1435 | 1435 | 1435 | 1435 | 1435 |
| Accessories | Fan Pulley | 250-1B-30 | 250-1B-30 | 280-2B-35 | 280-2B-35 | 280-2B-35 | 280-2B-35 | 315-2B-35 | 315-2B-35 | 315-2B-35 | 315-2B-35 |
| | Motor Pulley | 125-1B-28 | 125-1B-28 | 125-2B-38 | 125-2B-38 | 125-2B-38 | 125-2B-38 | 150-2B-38 | 150-2B-38 | 150-2B-38 | 150-2B-38 |
| | Belt | B-41 | B-41 | B-72 | B-72 | B-72 | B-72 | B-76 | B-76 | B-76 | B-76 |
| | Belt Q'ty | 1 | 1 | 2 | 2 | 2 | 2 | 2 | 2 | 2 | 2 |
| Insulation | Type | PE Foam | | | | | | | | | |
| | Thermal Conductivity | 0.036 w/m.K | | | | | | | | | |
| | Thickness | 10 | | | | | | | | | |
| Air Filter | Type | Washable Aluminium Filter | | | | | | | | | |
| | Q'ty ... Size | 3...16"x25"x1" | 3...16"x25"x1" | 2...16"x20"x2" | 2...16"x20"x2" | 2...16"x20"x2" | 2...16"x20"x2" | 2...16"x20"x2" | 2...16"x20"x2" | 2...16"x20"x2" | 2...16"x20"x2" |
| Pipe Connection | (Width x Height x Thickness) | 3...20"x25"x1" | 3...20"x25"x1" | 6...20"x25"x2" | 6...20"x25"x2" | 6...20"x25"x2" | 6...20"x25"x2" | 6...20"x25"x2" | 6...20"x25"x2" | 6...20"x25"x2" | 6...20"x25"x2" |
| | Chilled water inlet Q'ty... | 1...1-1/2" | 1...1-1/2" | 2...1-1/2" | 2...1-1/2" | 2...1-1/2" | 2...1-1/2" | 2...1-1/2" | 2...1-1/2" | 2...1-1/2" | 2...1-1/2" |
| | Chilled water outlet Q'ty... | 1...1-1/2" | 1...1-1/2" | 2...1-1/2" | 2...1-1/2" | 2...1-1/2" | 2...1-1/2" | 2...1-1/2" | 2...1-1/2" | 2...1-1/2" | 2...1-1/2" |
| | Chilled water pipe connection type | Male Pipe Thread | | | | | | | | | |
| | Condensate drain dia. | 1" | 1" | 2" | 2" | 2" | 2" | 2" | 2" | 2" | 2" |
| | Condensate drain connection type | Female Pipe Thread | | | | | | | | | |

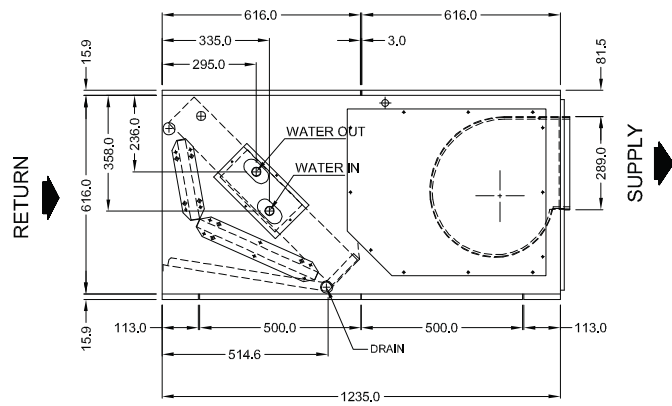
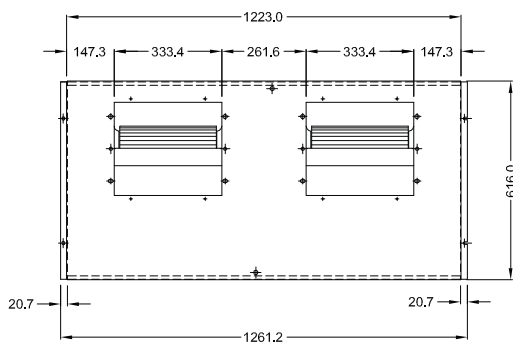
Remark : ** Nominal capacity base on air ent 80 Fdb-67 Fwb, Ent/Lvg water temp. 44/54 F, Max Air Flow rate.

Unit dimensions

Model : 40RBW012 Vertical Type

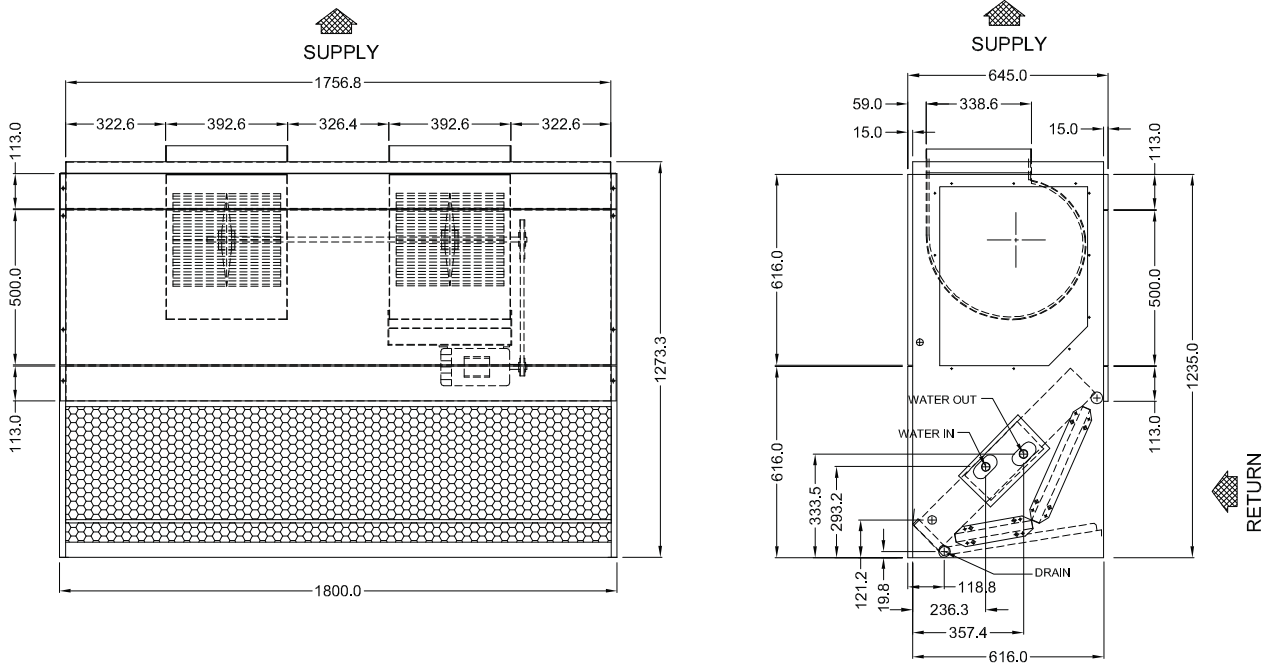


Model : 40RBW012 Horizontal Type

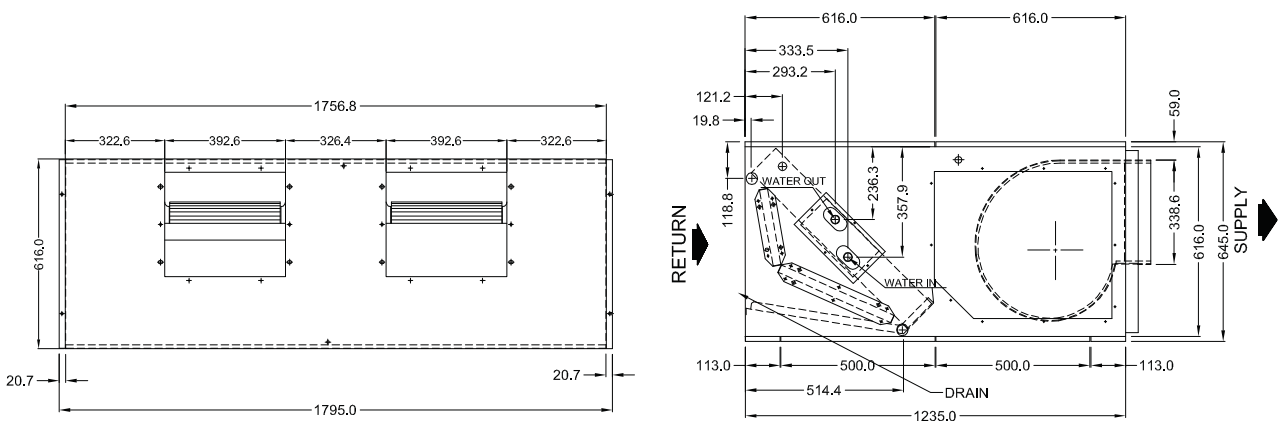


Unit dimensions

Model : 40RBW015, 018 Vertical Type

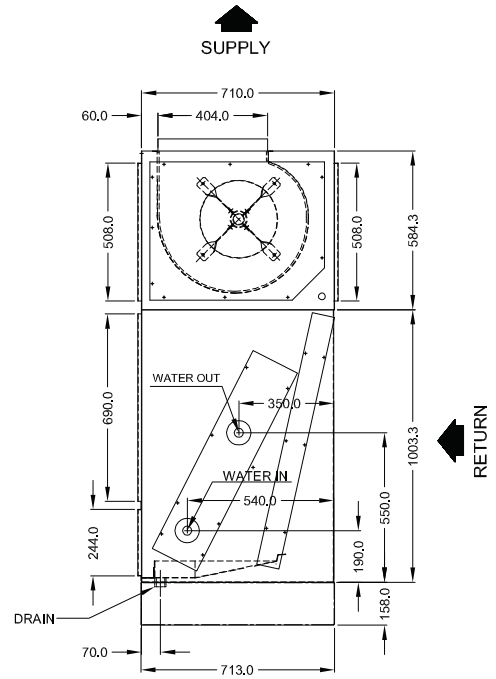
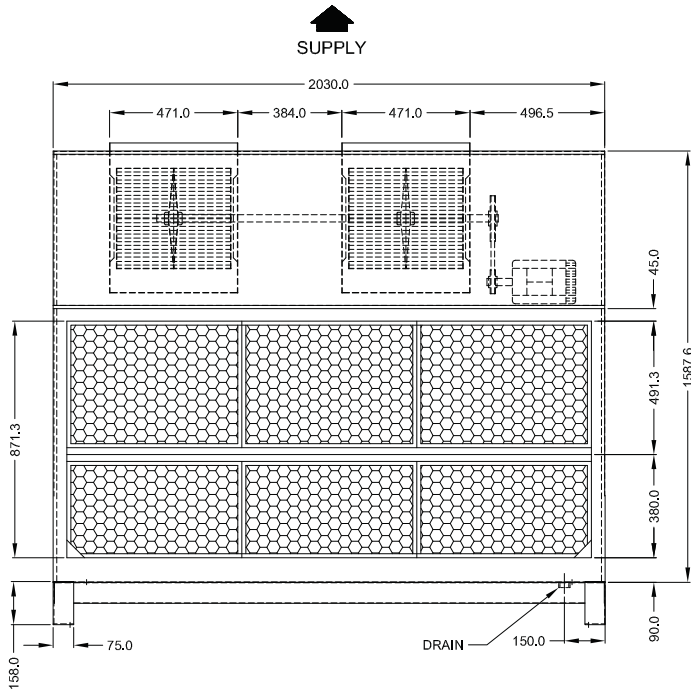


Model : 40RBW015, 018 Horizontal Type

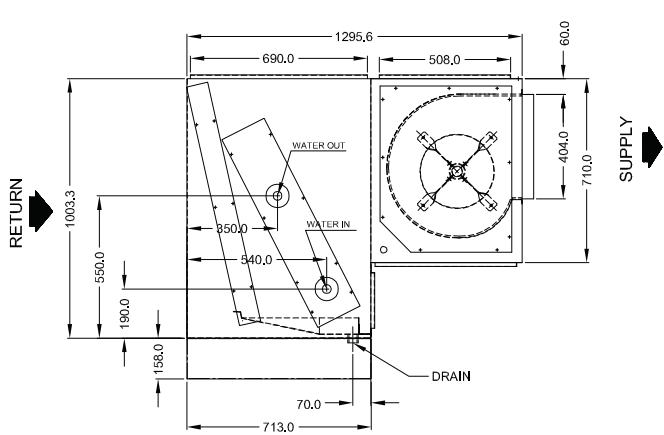
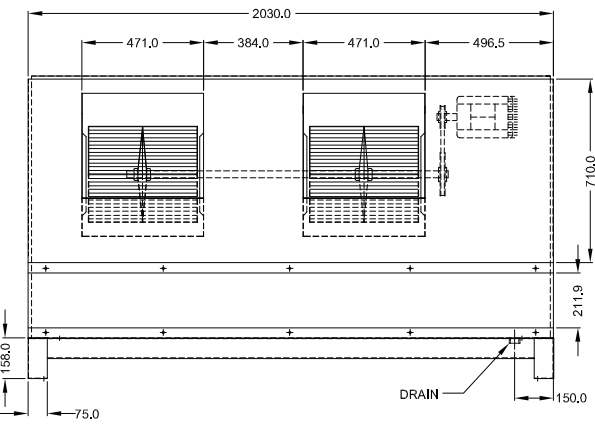


Unit dimensions

Model : 40RBW021, 024, 027 Vertical Type



Model : 40RBW021, 024, 027 Horizontal Type



Fan performance data

| Model | Air Flowrate (cfm) | Coil Pressure Drop (in.wg) | Total Static Pressure (in.wg) | | | | | | | | | | | | | | | | | |
|------------|--------------------|----------------------------|-------------------------------|----------------------|---------------|----------------------|---------------|----------------------|---------------|----------------------|---------------|----------------------|---------------|----------------------|---------------|----------------------|---------------|----------------------|---------------|----------------------|
| | | | 0.4 | | 0.6 | | 0.8 | | 1.0 | | 1.2 | | 1.4 | | 1.6 | | 1.8 | | 2.0 | |
| | | | fan speed rpm | power consumption kW | fan speed rpm | power consumption kW | fan speed rpm | power consumption kW | fan speed rpm | power consumption kW | fan speed rpm | power consumption kW | fan speed rpm | power consumption kW | fan speed rpm | power consumption kW | fan speed rpm | power consumption kW | fan speed rpm | power consumption kW |
| 40RBW012-3 | 3,500 | 0.25 | 649 | 0.48 | 753 | 0.60 | 849 | 0.71 | 943 | 0.83 | 1,025 | 0.98 | 1,111 | 1.10 | 1,201 | 1.27* | 1,291 | 1.49* | 1,382 | 1.7* |
| 40RBW012-4 | 4,000 | 0.30 | 684 | 0.64 | 777 | 0.77 | 867 | 0.9 | 951 | 1.04 | 1,037 | 1.16 | 1,112 | 1.32* | 1,184 | 1.49* | 1,259 | 1.62* | - | - |
| 40RBW015-3 | 4,500 | 0.31 | 649 | 0.48 | 753 | 0.60 | 849 | 0.71 | 943 | 0.83 | 1,025 | 0.98 | 1,111 | 1.10 | 1,201 | 1.27* | 1,291 | 1.49* | 1,382 | 1.7* |
| 40RBW015-4 | 5,000 | 0.25 | 532 | 0.54 | 639 | 0.70 | 729 | 0.87 | 819 | 1.06 | 1,046 | 1.43 | 1,027 | 1.59 | - | - | - | - | - | - |
| 40RBW018-3 | 5,100 | 0.31 | 546 | 0.68 | 644 | 0.86 | 737 | 1.05 | 816 | 1.25 | 893 | 1.45 | 979 | 1.69 | - | - | - | - | - | - |
| 40RBW018-4 | 5,100 | 0.42 | 546 | 0.68 | 644 | 0.86 | 737 | 1.05 | 816 | 1.25 | 893 | 1.45 | 979 | 1.69 | - | - | - | - | - | - |
| 40RBW021-3 | 5,500 | 0.27 | 561 | 0.80 | 651 | 0.98 | 740 | 1.18 | 822 | 1.39 | 893 | 1.60 | 965 | 1.82* | 1,044 | 2.08* | 1,131 | 2.39* | 1,217 | 2.74* |
| 40RBW021-4 | 6,000 | 0.30 | 583 | 0.97 | 662 | 1.15 | 746 | 1.37 | 826 | 1.59 | 893 | 1.60 | 965 | 1.82* | 1,044 | 2.08* | 1,131 | 2.39* | 1,217 | 2.74* |
| 40RBW024-3 | 6,000 | 0.41 | 583 | 0.97 | 662 | 1.15 | 746 | 1.37 | 826 | 1.59 | 893 | 1.60 | 965 | 1.82* | 1,044 | 2.08* | 1,131 | 2.39* | 1,217 | 2.74* |
| 40RBW024-4 | 6,500 | 0.28 | 460 | 0.76 | 554 | 0.99 | 633 | 1.21 | 708 | 1.47 | 777 | 1.74 | 845 | 2.02* | 911 | 2.34* | 978 | 2.69* | 1,045 | 3.07* |
| 40RBW024-5 | 7,050 | 0.31 | 481 | 0.93 | 556 | 1.13 | 636 | 1.38 | 708 | 1.62 | 776 | 1.91* | 839 | 2.21* | 901 | 2.50* | 963 | 2.83* | 1,025 | 3.20* |
| 40RBW024-6 | 7,500 | 0.41 | 481 | 0.93 | 556 | 1.13 | 636 | 1.38 | 708 | 1.62 | 776 | 1.91* | 839 | 2.21* | 901 | 2.50* | 963 | 2.83* | 1,025 | 3.20* |
| 40RBW027-3 | 8,000 | 0.28 | - | - | 558 | 1.26 | 639 | 1.53 | 709 | 1.78 | 776 | 2.05 | 838 | 2.36 | 897 | 2.68* | 956 | 3.00* | - | - |
| 40RBW027-4 | 8,000 | 0.30 | - | - | 564 | 1.41 | 641 | 1.69 | 712 | 1.98 | 776 | 2.24 | 838 | 2.54* | 896 | 2.88* | 951 | 3.22* | - | - |
| 40RBW030-3 | 8,500 | 0.37 | - | - | 583 | 1.63 | 644 | 1.88 | 715 | 2.18 | 778 | 2.47 | 838 | 2.76 | 896 | 3.08 | - | - | - | - |
| 40RBW030-4 | 9,000 | 0.41 | - | - | 583 | 1.63 | 644 | 1.88 | 715 | 2.18 | 778 | 2.47 | 838 | 2.76 | 896 | 3.08 | - | - | - | - |
| 40RBW030-5 | 9,500 | 0.26 | 396 | 1.13 | 465 | 1.42 | 531 | 1.75 | 589 | 2.09 | 647 | 2.49 | 716 | 2.97 | 787 | 3.57 | 853 | 4.23 | - | - |
| 40RBW030-6 | 10,450 | 0.30 | 413 | 1.40 | 473 | 1.69 | 534 | 2.02 | 593 | 2.39 | 645 | 2.76 | 697 | 3.19 | 757 | 3.68 | 822 | 4.28 | 885 | 4.97* |
| 40RBW033-3 | 10,500 | 0.35 | 396 | 1.13 | 465 | 1.42 | 531 | 1.75 | 589 | 2.09 | 647 | 2.49 | 716 | 2.97 | 787 | 3.57 | 853 | 4.23 | - | - |
| 40RBW033-4 | 10,500 | 0.40 | 413 | 1.40 | 473 | 1.69 | 534 | 2.02 | 593 | 2.39 | 645 | 2.76 | 697 | 3.19 | 757 | 3.68 | 822 | 4.28 | 885 | 4.97* |
| 40RBW033-5 | 10,500 | 0.28 | 414 | 1.42 | 473 | 1.71 | 535 | 2.04 | 593 | 2.40 | 645 | 2.78 | 696 | 3.20 | 755 | 3.69 | 821 | 4.28 | 884 | 4.98* |
| 40RBW033-6 | 11,050 | 0.31 | 426 | 1.60 | 477 | 1.87 | 538 | 2.22 | 595 | 2.60 | 648 | 2.98 | 696 | 3.39 | 746 | 3.85 | 803 | 4.39 | 866 | 5.02* |
| 40RBW036-3 | 10,500 | 0.37 | 414 | 1.42 | 473 | 1.71 | 535 | 2.04 | 593 | 2.40 | 645 | 2.78 | 696 | 3.20 | 755 | 3.69 | 821 | 4.28 | 884 | 4.98* |
| 40RBW036-4 | 11,050 | 0.41 | 426 | 1.60 | 477 | 1.87 | 538 | 2.22 | 595 | 2.60 | 648 | 2.98 | 696 | 3.39 | 746 | 3.85 | 803 | 4.39 | 866 | 5.02* |
| 40RBW036-5 | 11,500 | 0.28 | 436 | 1.76 | 483 | 2.02 | 541 | 2.39 | 597 | 2.76 | 650 | 3.16 | 697 | 3.57 | 744 | 4.02 | 794 | 4.52* | 851 | 5.1* |
| 40RBW036-6 | 12,150 | 0.30 | 451 | 2.02 | 493 | 2.28 | 546 | 2.64 | 600 | 3.02 | 652 | 3.43 | 700 | 3.85 | 745 | 4.29 | 789 | 4.77* | 836 | 5.30* |
| 40RBW040-3 | 11,500 | 0.37 | 436 | 1.76 | 483 | 2.02 | 541 | 2.39 | 597 | 2.76 | 650 | 3.16 | 697 | 3.57 | 744 | 4.02 | 794 | 4.52* | 851 | 5.1* |
| 40RBW040-4 | 12,500 | 0.29 | 459 | 2.16 | 500 | 2.44 | 549 | 2.77 | 602 | 3.17 | 654 | 3.58 | 702 | 4.02 | 746 | 4.46 | 789 | 4.93* | 833 | 5.45* |
| 40RBW040-5 | 13,000 | 0.30 | 470 | 2.39 | 510 | 2.67 | 554 | 2.98 | 606 | 3.41 | 655 | 3.81 | 704 | 4.26 | 749 | 4.71* | 791 | 5.18* | 831 | 5.68* |
| 40RBW040-6 | 12,500 | 0.38 | 459 | 2.16 | 500 | 2.44 | 549 | 2.77 | 602 | 3.17 | 654 | 3.58 | 702 | 4.02 | 746 | 4.46 | 789 | 4.93* | 833 | 5.45* |
| 40RBW040-7 | 13,000 | 0.40 | 470 | 2.39 | 510 | 2.67 | 554 | 2.98 | 606 | 3.41 | 655 | 3.81 | 704 | 4.26 | 749 | 4.71* | 791 | 5.18* | 831 | 5.68* |

Remark: * Motor Size need to be changed.

Performance data

Ent/Lvg Water Temp 44/54°F Capacity

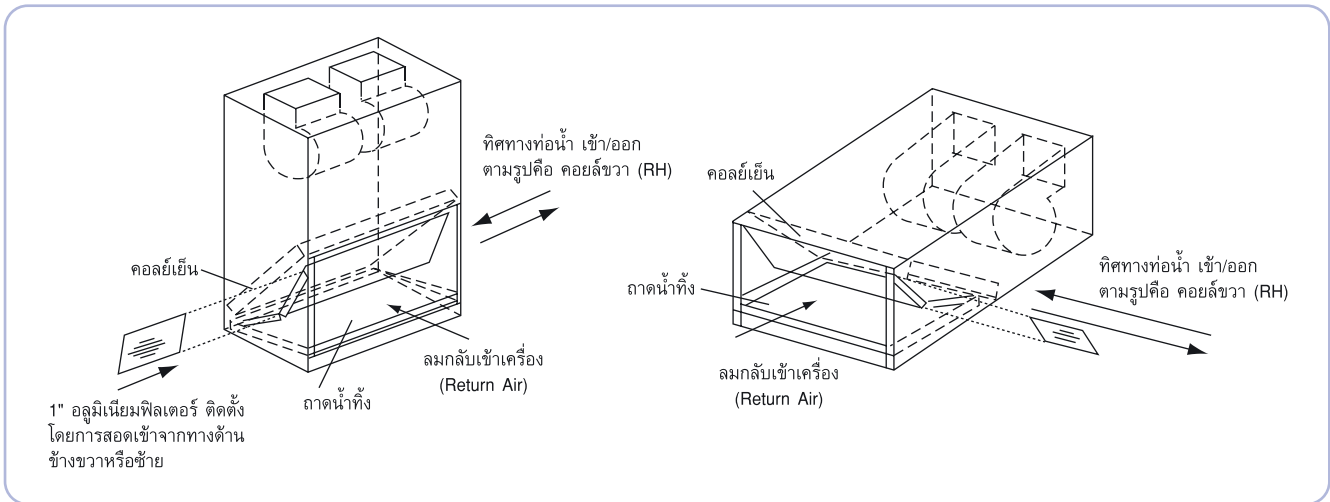
| Model | Ent. Air Temp (Fdb/Fwb) | | 76 / 63 | | | 78 / 65 | | | 80 / 67 | | | 82 / 69 | | |
|------------|-------------------------|---------------|----------------|-------------------|----------------|----------------|-------------------|----------------|----------------|-------------------|----------------|----------------|-------------------|----------------|
| | Air Flowrate | Pressure Drop | Total Capacity | Sensible Capacity | Water Flowrate | Total Capacity | Sensible Capacity | Water Flowrate | Total Capacity | Sensible Capacity | Water Flowrate | Total Capacity | Sensible Capacity | Water Flowrate |
| | (cfm) | | (btu/h) | (btu/h) | (gpm) | (btu/h) | (btu/h) | (gpm) | (btu/h) | (btu/h) | (gpm) | (btu/h) | (btu/h) | (gpm) |
| 40RBW012-3 | 3,500 | 0.25 | 87,910 | 76,710 | 17.5 | 101,940 | 81,700 | 20.3 | 117,570 | 86,890 | 23.4 | 136,390 | 92,600 | 27.2 |
| | 4,000 | 0.30 | 95,940 | 84,900 | 19.1 | 111,240 | 90,410 | 22.2 | 128,200 | 96,100 | 25.6 | 148,680 | 102,320 | 29.7 |
| 40RBW012-4 | 3,500 | 0.33 | 106,720 | 87,900 | 21.3 | 124,380 | 93,870 | 24.8 | 143,320 | 99,980 | 28.6 | 165,090 | 106,640 | 32.9 |
| | 4,000 | 0.41 | 117,360 | 97,930 | 23.4 | 136,660 | 104,510 | 27.3 | 157,470 | 111,220 | 31.4 | 181,460 | 118,530 | 36.2 |
| 40RBW015-3 | 4,500 | 0.25 | 111,870 | 96,980 | 22.3 | 129,370 | 103,330 | 25.8 | 149,940 | 110,070 | 29.9 | 172,520 | 116,980 | 34.4 |
| | 5,100 | 0.31 | 121,560 | 106,680 | 24.2 | 140,460 | 113,650 | 28.0 | 162,710 | 120,990 | 32.5 | 187,240 | 128,500 | 37.3 |
| 40RBW015-4 | 4,500 | 0.34 | 131,950 | 109,390 | 26.3 | 152,710 | 116,570 | 30.5 | 176,920 | 124,370 | 35.3 | 203,090 | 132,380 | 40.5 |
| | 5,100 | 0.42 | 144,200 | 121,030 | 28.8 | 166,860 | 128,920 | 33.3 | 193,190 | 137,430 | 38.5 | 221,940 | 146,190 | 44.3 |
| 40RBW018-3 | 5,500 | 0.27 | 135,250 | 119,150 | 27.0 | 157,050 | 126,910 | 31.3 | 181,110 | 134,890 | 36.1 | 210,580 | 143,750 | 42.0 |
| | 6,000 | 0.30 | 143,170 | 127,230 | 28.6 | 166,150 | 135,540 | 33.1 | 191,450 | 143,960 | 38.2 | 222,690 | 153,410 | 44.4 |
| 40RBW018-4 | 5,500 | 0.35 | 160,420 | 134,650 | 32.0 | 187,020 | 143,680 | 37.3 | 215,470 | 152,830 | 43.0 | 248,950 | 163,060 | 49.7 |
| | 6,000 | 0.41 | 170,620 | 144,390 | 34.0 | 198,630 | 154,010 | 39.6 | 228,950 | 163,750 | 45.7 | 264,490 | 174,610 | 52.8 |
| 40RBW021-3 | 6,500 | 0.28 | 159,840 | 139,040 | 31.9 | 184,870 | 148,130 | 36.9 | 214,140 | 157,770 | 42.7 | 247,240 | 167,830 | 49.3 |
| | 7,050 | 0.31 | 168,540 | 147,850 | 33.6 | 194,910 | 157,480 | 38.9 | 225,650 | 167,720 | 45.0 | 260,600 | 178,310 | 52.0 |
| 40RBW021-4 | 6,500 | 0.36 | 188,580 | 157,330 | 37.6 | 220,090 | 167,950 | 43.9 | 253,190 | 178,600 | 50.5 | 292,630 | 190,640 | 58.4 |
| | 7,050 | 0.41 | 199,790 | 167,940 | 39.8 | 232,890 | 179,210 | 46.4 | 268,010 | 190,500 | 53.5 | 309,770 | 203,250 | 61.8 |
| 40RBW024-3 | 7,500 | 0.27 | 185,130 | 161,790 | 36.9 | 214,740 | 172,330 | 42.8 | 247,910 | 183,330 | 49.4 | 287,340 | 195,190 | 57.3 |
| | 8,000 | 0.30 | 193,020 | 169,880 | 38.5 | 223,890 | 180,910 | 44.7 | 258,320 | 192,400 | 51.5 | 299,590 | 204,830 | 59.8 |
| 40RBW024-4 | 7,500 | 0.37 | 218,930 | 182,870 | 43.7 | 255,450 | 195,190 | 50.9 | 293,880 | 207,560 | 58.6 | 339,610 | 221,510 | 67.7 |
| | 8,000 | 0.40 | 229,150 | 192,570 | 45.7 | 267,120 | 205,490 | 53.3 | 307,410 | 218,440 | 61.3 | 355,290 | 233,060 | 70.9 |
| 40RBW027-3 | 8,500 | 0.28 | 209,200 | 183,030 | 41.7 | 242,680 | 194,940 | 48.4 | 280,020 | 207,330 | 55.9 | 324,750 | 220,780 | 64.8 |
| | 9,000 | 0.30 | 217,060 | 191,110 | 43.3 | 251,810 | 203,510 | 50.2 | 290,490 | 216,430 | 57.9 | 336,960 | 230,410 | 67.2 |
| 40RBW027-4 | 8,500 | 0.37 | 247,350 | 206,820 | 49.3 | 288,560 | 220,740 | 57.6 | 332,000 | 234,720 | 66.2 | 383,660 | 250,480 | 76.5 |
| | 9,000 | 0.41 | 257,530 | 216,490 | 51.4 | 300,200 | 231,010 | 59.9 | 345,470 | 245,570 | 68.9 | 399,290 | 262,000 | 79.6 |
| 40RBW030-3 | 9,500 | 0.26 | 236,990 | 204,850 | 47.3 | 274,900 | 218,160 | 54.8 | 317,170 | 232,030 | 63.3 | 367,960 | 247,270 | 73.4 |
| | 10,450 | 0.30 | 252,210 | 220,260 | 50.3 | 292,670 | 234,530 | 58.4 | 337,550 | 249,410 | 67.3 | 391,560 | 265,580 | 78.1 |
| 40RBW030-4 | 9,500 | 0.35 | 282,050 | 231,880 | 56.3 | 328,370 | 247,500 | 65.5 | 378,230 | 263,560 | 75.4 | 435,820 | 281,110 | 86.9 |
| | 10,450 | 0.40 | 301,540 | 250,420 | 60.1 | 351,210 | 267,170 | 70.0 | 404,340 | 284,340 | 80.6 | 466,300 | 303,130 | 93.0 |
| 40RBW033-3 | 10,500 | 0.28 | 257,900 | 223,780 | 51.4 | 298,760 | 238,310 | 59.6 | 345,160 | 253,600 | 68.8 | 399,700 | 269,920 | 79.7 |
| | 11,050 | 0.31 | 266,580 | 232,590 | 53.2 | 308,830 | 247,640 | 61.6 | 356,500 | 263,440 | 71.1 | 413,170 | 280,410 | 82.4 |
| 40RBW033-4 | 10,500 | 0.37 | 307,460 | 254,010 | 61.3 | 358,020 | 271,060 | 71.4 | 412,200 | 288,530 | 82.2 | 475,180 | 307,670 | 94.8 |
| | 11,050 | 0.41 | 318,540 | 264,630 | 63.5 | 371,010 | 282,320 | 74.0 | 427,140 | 300,470 | 85.2 | 492,600 | 320,310 | 98.2 |
| 40RBW036-3 | 11,500 | 0.28 | 283,540 | 245,740 | 56.6 | 328,450 | 261,690 | 65.5 | 379,500 | 278,490 | 75.7 | 439,440 | 296,420 | 87.6 |
| | 12,150 | 0.30 | 293,840 | 256,190 | 58.6 | 340,410 | 272,760 | 67.9 | 392,970 | 290,160 | 78.4 | 455,430 | 308,860 | 90.8 |
| 40RBW036-4 | 11,500 | 0.37 | 337,420 | 278,570 | 67.3 | 392,900 | 297,270 | 78.4 | 452,380 | 316,440 | 90.2 | 521,440 | 337,440 | 104.0 |
| | 12,150 | 0.40 | 350,550 | 291,130 | 69.9 | 408,290 | 310,600 | 81.4 | 470,060 | 330,560 | 93.8 | 542,080 | 352,410 | 108.1 |
| 40RBW040-3 | 12,500 | 0.29 | 311,960 | 272,230 | 62.2 | 362,230 | 289,930 | 72.2 | 417,610 | 308,260 | 83.3 | 484,550 | 328,340 | 96.6 |
| | 13,000 | 0.30 | 320,020 | 280,390 | 63.8 | 371,530 | 298,610 | 74.1 | 428,120 | 317,370 | 85.4 | 496,970 | 338,080 | 99.1 |
| 40RBW040-4 | 12,500 | 0.38 | 375,940 | 310,900 | 75.0 | 437,790 | 331,760 | 87.3 | 504,040 | 353,120 | 100.5 | 581,090 | 376,530 | 115.9 |
| | 13,000 | 0.40 | 386,300 | 320,840 | 77.0 | 449,930 | 342,290 | 89.7 | 518,000 | 364,290 | 103.3 | 597,380 | 388,360 | 119.1 |

Performance data

Ent/Lvg Water Temp 45/55°F Capacity

| Model | Ent. Air Temp | | 76 / 63 | | | 78 / 65 | | | 80 / 67 | | | 82 / 69 | | |
|------------|--------------------|----------------------------|------------------------|---------------------------|----------------------|------------------------|---------------------------|----------------------|------------------------|---------------------------|----------------------|------------------------|---------------------------|----------------------|
| | Air Flowrate (cfm) | Air Pressure Drop (in. wg) | Total Capacity (btu/h) | Sensible Capacity (btu/h) | Water Flowrate (gpm) | Total Capacity (btu/h) | Sensible Capacity (btu/h) | Water Flowrate (gpm) | Total Capacity (btu/h) | Sensible Capacity (btu/h) | Water Flowrate (gpm) | Total Capacity (btu/h) | Sensible Capacity (btu/h) | Water Flowrate (gpm) |
| 40RBW012-3 | 3,500 | 0.25 | 82,550 | 74,110 | 16.5 | 96,170 | 79,110 | 19.2 | 111,180 | 84,170 | 22.2 | 129,300 | 89,740 | 25.8 |
| | 4,000 | 0.30 | 90,260 | 82,010 | 18.0 | 104,920 | 87,560 | 20.9 | 121,010 | 93,030 | 24.1 | 140,850 | 99,190 | 28.1 |
| 40RBW012-4 | 3,500 | 0.33 | 100,550 | 84,990 | 20.1 | 117,220 | 90,770 | 23.4 | 135,820 | 96,760 | 27.1 | 156,890 | 103,260 | 31.3 |
| | 4,000 | 0.41 | 100,550 | 84,990 | 20.1 | 128,740 | 101,080 | 25.7 | 149,240 | 107,680 | 29.8 | 172,320 | 114,790 | 34.4 |
| 40RBW015-3 | 4,500 | 0.25 | 105,290 | 93,700 | 21.0 | 121,930 | 100,000 | 24.3 | 141,760 | 106,600 | 28.3 | 163,830 | 113,430 | 32.7 |
| | 5,100 | 0.31 | 114,490 | 103,050 | 22.8 | 132,360 | 109,980 | 26.4 | 153,790 | 117,200 | 30.7 | 177,720 | 124,620 | 35.5 |
| 40RBW015-4 | 4,500 | 0.34 | 123,940 | 105,700 | 24.7 | 144,150 | 112,770 | 28.8 | 167,310 | 120,320 | 33.4 | 193,290 | 128,280 | 38.6 |
| | 5,100 | 0.42 | 135,420 | 116,970 | 27.0 | 157,490 | 124,750 | 31.4 | 182,610 | 132,990 | 36.4 | 211,110 | 141,700 | 42.1 |
| 40RBW018-3 | 5,500 | 0.27 | 127,490 | 115,200 | 25.4 | 148,020 | 122,870 | 29.5 | 171,360 | 130,710 | 34.2 | 199,350 | 139,300 | 39.8 |
| | 6,000 | 0.30 | 135,030 | 123,010 | 26.9 | 156,520 | 131,240 | 31.2 | 181,230 | 139,570 | 36.2 | 210,700 | 148,680 | 42.0 |
| 40RBW018-4 | 5,500 | 0.35 | 151,410 | 130,300 | 30.2 | 176,050 | 138,950 | 35.1 | 204,430 | 148,090 | 40.8 | 236,210 | 157,860 | 47.1 |
| | 6,000 | 0.41 | 161,000 | 139,740 | 32.1 | 186,930 | 148,960 | 37.3 | 217,140 | 158,700 | 43.3 | 250,840 | 169,080 | 50.0 |
| 40RBW021-3 | 6,500 | 0.28 | 150,140 | 134,330 | 30.0 | 174,530 | 143,390 | 34.8 | 201,880 | 152,660 | 40.3 | 234,690 | 162,710 | 46.8 |
| | 7,050 | 0.31 | 158,420 | 142,800 | 31.6 | 184,000 | 152,490 | 36.7 | 212,690 | 162,280 | 42.4 | 247,330 | 172,920 | 49.3 |
| 40RBW021-4 | 6,500 | 0.36 | 178,080 | 152,260 | 35.5 | 207,340 | 162,440 | 41.4 | 240,370 | 173,070 | 48.0 | 277,880 | 184,610 | 55.4 |
| | 7,050 | 0.41 | 188,630 | 162,530 | 37.6 | 219,330 | 173,350 | 43.8 | 254,370 | 184,630 | 50.7 | 294,030 | 196,840 | 58.7 |
| 40RBW024-3 | 7,500 | 0.27 | 174,180 | 156,400 | 34.8 | 202,610 | 166,850 | 40.4 | 234,200 | 177,480 | 46.7 | 272,410 | 189,200 | 54.3 |
| | 8,000 | 0.30 | 181,750 | 164,170 | 36.3 | 211,190 | 175,170 | 42.1 | 244,150 | 186,310 | 48.7 | 283,910 | 198,560 | 56.6 |
| 40RBW024-4 | 7,500 | 0.37 | 206,730 | 176,970 | 41.2 | 240,640 | 188,790 | 48.0 | 278,990 | 201,140 | 55.7 | 322,460 | 214,500 | 64.3 |
| | 8,000 | 0.40 | 216,350 | 186,360 | 43.2 | 251,570 | 198,770 | 50.2 | 291,760 | 211,710 | 58.2 | 337,240 | 225,710 | 67.3 |
| 40RBW027-3 | 8,500 | 0.28 | 196,880 | 176,930 | 39.3 | 228,940 | 188,750 | 45.7 | 264,660 | 200,770 | 52.8 | 307,840 | 214,020 | 61.4 |
| | 9,000 | 0.30 | 204,430 | 184,690 | 40.8 | 237,510 | 197,060 | 47.4 | 274,580 | 209,580 | 54.8 | 319,300 | 223,360 | 63.7 |
| 40RBW027-4 | 8,500 | 0.37 | 233,560 | 200,150 | 46.6 | 271,820 | 213,500 | 54.2 | 315,170 | 227,460 | 62.9 | 364,280 | 242,560 | 72.7 |
| | 9,000 | 0.41 | 243,140 | 209,520 | 48.5 | 282,720 | 223,460 | 56.4 | 327,880 | 238,010 | 65.4 | 379,000 | 253,740 | 75.6 |
| 40RBW030-3 | 9,500 | 0.26 | 222,920 | 198,030 | 44.5 | 259,460 | 211,220 | 51.8 | 299,900 | 224,700 | 59.8 | 348,980 | 239,650 | 69.6 |
| | 10,450 | 0.30 | 237,610 | 212,910 | 47.4 | 276,130 | 227,110 | 55.1 | 319,170 | 241,520 | 63.7 | 371,140 | 257,440 | 74.0 |
| 40RBW030-4 | 9,500 | 0.35 | 265,380 | 224,170 | 52.9 | 309,910 | 239,410 | 61.8 | 358,190 | 255,000 | 71.5 | 414,650 | 272,310 | 82.7 |
| | 10,450 | 0.40 | 284,180 | 242,140 | 56.7 | 331,150 | 258,470 | 66.1 | 383,100 | 275,190 | 76.4 | 443,400 | 293,680 | 88.5 |
| 40RBW033-3 | 10,500 | 0.28 | 242,560 | 216,290 | 48.4 | 282,040 | 230,740 | 56.3 | 325,900 | 245,440 | 65.0 | 379,160 | 261,660 | 75.6 |
| | 11,050 | 0.31 | 250,870 | 224,750 | 50.1 | 291,470 | 239,790 | 58.2 | 336,830 | 255,050 | 67.2 | 391,830 | 271,860 | 78.2 |
| 40RBW033-4 | 10,500 | 0.37 | 289,550 | 245,610 | 57.8 | 337,830 | 262,230 | 67.4 | 390,540 | 279,240 | 77.9 | 451,970 | 298,060 | 90.2 |
| | 11,050 | 0.41 | 300,220 | 255,880 | 59.9 | 349,820 | 273,130 | 69.8 | 404,710 | 290,800 | 80.7 | 468,410 | 310,330 | 93.5 |
| 40RBW036-3 | 11,500 | 0.28 | 266,640 | 237,520 | 53.2 | 310,090 | 253,380 | 61.9 | 358,300 | 269,530 | 71.5 | 416,880 | 287,350 | 83.2 |
| | 12,150 | 0.30 | 276,510 | 247,560 | 55.2 | 321,290 | 264,110 | 64.1 | 371,280 | 280,910 | 74.1 | 431,930 | 299,450 | 86.2 |
| 40RBW036-4 | 11,500 | 0.37 | 317,730 | 269,350 | 63.4 | 370,760 | 287,580 | 74.0 | 428,580 | 306,250 | 85.5 | 496,000 | 326,900 | 99.0 |
| | 12,150 | 0.40 | 330,370 | 281,510 | 65.9 | 384,970 | 300,490 | 76.8 | 445,370 | 319,930 | 88.9 | 515,470 | 341,420 | 102.8 |
| 40RBW040-3 | 12,500 | 0.29 | 293,920 | 263,160 | 58.6 | 341,640 | 280,710 | 68.2 | 395,100 | 298,590 | 78.8 | 459,180 | 318,220 | 91.6 |
| | 13,000 | 0.30 | 301,580 | 271,020 | 60.2 | 350,360 | 289,130 | 69.9 | 405,190 | 307,510 | 80.8 | 470,860 | 327,700 | 93.9 |
| 40RBW040-4 | 12,500 | 0.38 | 354,090 | 300,620 | 70.6 | 412,850 | 320,920 | 82.4 | 477,550 | 341,750 | 95.3 | 552,680 | 364,770 | 110.3 |
| | 13,000 | 0.40 | 364,070 | 310,230 | 72.6 | 424,230 | 331,140 | 84.6 | 490,790 | 352,570 | 97.9 | 568,040 | 376,250 | 113.3 |

Coil connection



บริษัท แคนเรียร์ (ประเทศไทย) จำกัด

1858/63-74 อาคารทีซีไอเอฟ ทาวเวอร์
ชั้น 14,15 ด.บางนา-ตราด กม. 4.5
บางนา กรุงเทพฯ 10260
โทร. 0-2762-9222 แฟกซ์: 0-2751-4778

Carrier (Thailand) Ltd.

1858/63-74, TCIF Tower,
14th, 15th Floor Bangna-Trad Road, Km. 4.5,
Bangna, Bangkok 10260 Thailand
Tel. 0-2762-9222 Fax: 0-2751-4778



YOUR CARRIER MAN :

Carrier reserves the right to make changes in specifications without prior notice.
บริษัทฯ ขอสงวนสิทธิ์ที่จะเปลี่ยนแปลงรายละเอียดข้างต้น โดยไม่ต้องแจ้งให้ทราบล่วงหน้า