



## 40LAS-W Series

*Chilled Water Fan Coil Unit*

48,410-150,440 BTU



# 40LAS-W Series



▲ 40LAS-W Series (Size : 004/006)



▲ 40LAS-W Series (Size : 007/009/012/015)

## The New, Versatile & Energy Efficient 40LAS-W Chilled Water Fan Coil Unit.

The Carrier 40LAS-W Horizontal Type Chilled Water Fan Coil Units come in 6 sizes covering an air flow range between (1,600-5,000) CFM. These units have been engineered for domestic and commercial application. 40LAS-W Fan Coil Units produce nominal capacities ranging from (48,950-154,160) Btu/hr.

### Features

- Direct Driven Forward Curved Centrifugal Fan - quiet operation.
- Carrier All Weather Cabinet - rugged and durable.
- Fire Retardant Insulation - minimises condensation & reduces sound levels.
- Filter(s) - easily serviceable.

## Guide specifications

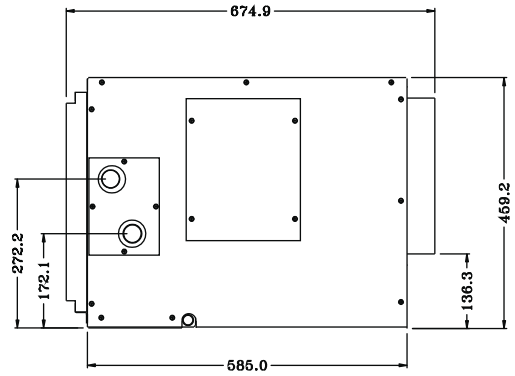
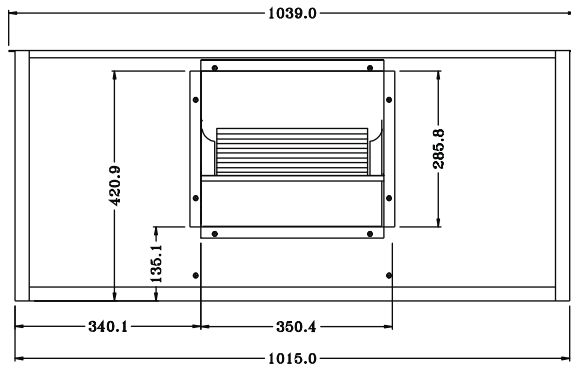
### Specifications

Model		Packaged Chilled Water Fan Coil Unit						
		40LAS-W						
		004	006	007	009	012	015	
Nominal Capacity	Cooling Capacity *	btu/h	48,950	63,740	81,490	102,030	131,010	154,160
	Air Flowrate	cfm	1,600	2,000	2,600	3,200	4,000	5,000
Operating Weight		kg	75	78	110	115	125	144
Power Consumption		watts	440	640	880	880	1,280	1,570
Cooling Coil	Coil Arrangement	row / fpi	3/14	3/14	3/14	3/14	3/14	3/14
	Coil Face Area	sq.ft	3.33	4.11	5.22	6.67	8.25	10.08
	Coil / Fin Material		Cu/Al	Cu/Al	Cu/Al	Cu/Al	Cu/Al	Cu/Al
Fan	Fan Size	inch	10"x10"	10"x10"	10"x10"	10"x10"	10"x10"	12"x12"
	Fan Q'ty		1	1	2	2	2	2
			Direct drive					
Motor	Motor Current (RLA)	Amp	2.11	4.05	2 x 2.11	2 x 2.11	2 x 4.05	2 x 4.03
	Motor speed	rpm	890/780/620	945/890/800	890/780/620	890/780/620	945/890/800	790/730/650
	Type		Permanent split capacitor with internal thermal overload					
Insulation	Type		PE Foam					
	Thermal Conductivity		0.032 w/m.K					
	Thickness		10					
Air Filter	Type		Synthetic					
	Size	mm	395 x 960	395 x 1138	395 x 1395	465 x 1395	524 x 1578	524 x 1878
	Width	mm	1040	1220	1480	1480	1660	1960
Dimension	Height	mm	460	460	460	530	590	590
	Depth	mm	675	675	675	675	675	780
	Chilled water inlet	inch	1"	1"	1"	1"	1-1/4"	1-1/4"
Pipe Connection	Chilled water outlet	inch	1"	1"	1"	1"	1-1/4"	1-1/4"
	Chilled water pipe connection type		Male Pipe Thread					
	Condensate drain dia.		1/2"	1/2"	1/2"	1/2"	1/2"	1/2"
	Condensate drain connection type		Male Pipe Thread					

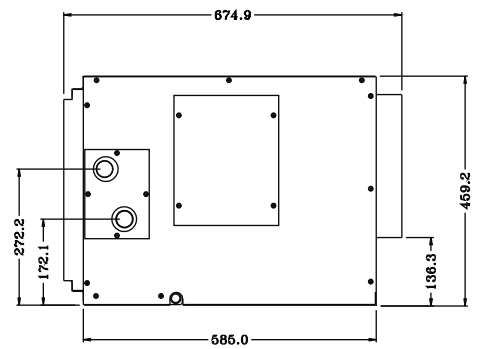
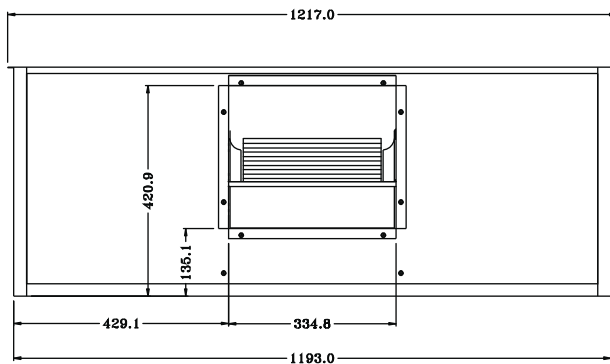
Remark : Nominal cooling capacity based on Air Ent.80 Fdb/67 Fwb

Ent/Lvg chilled water Cap 44/54 F, at max Air Flowrate.

## Unit dimensions

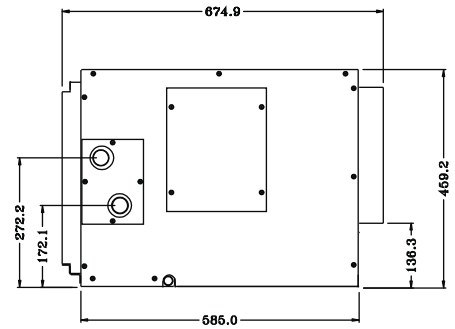
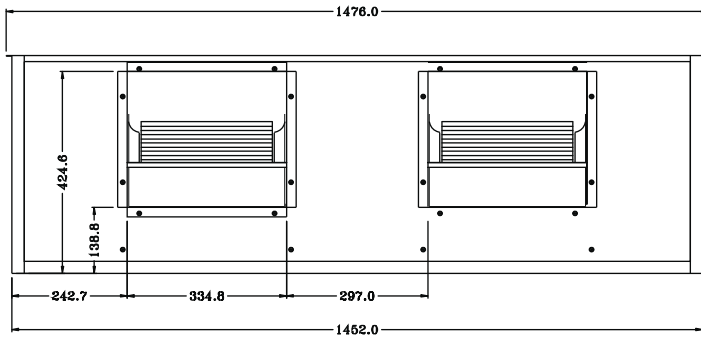


Model : 40LAS004W

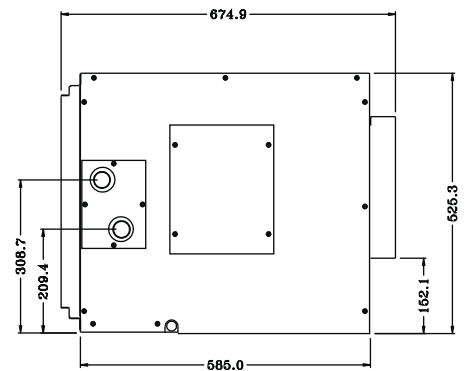
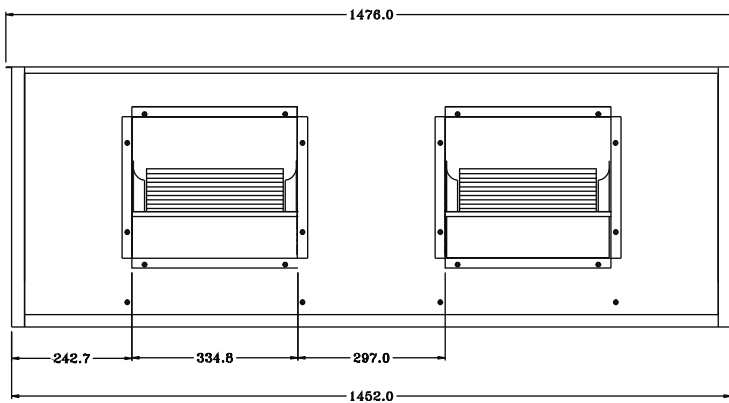


Model : 40LAS006W

## Unit dimensions

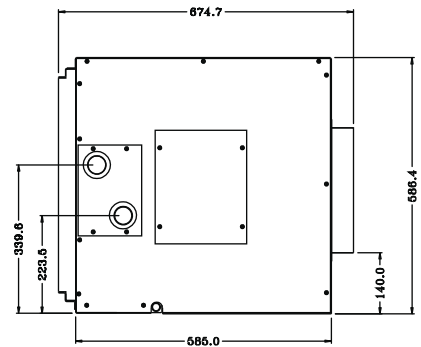
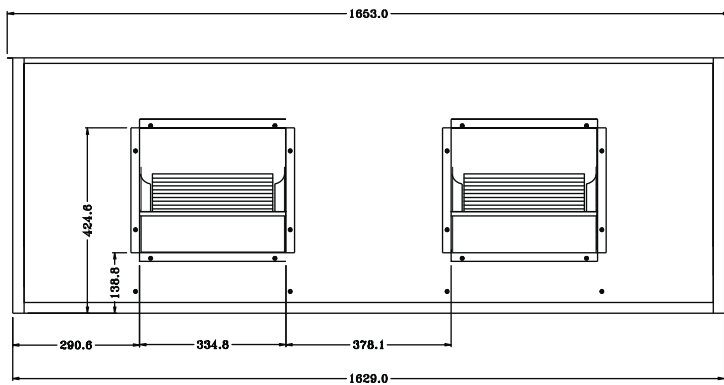


Model : 40LAS007W

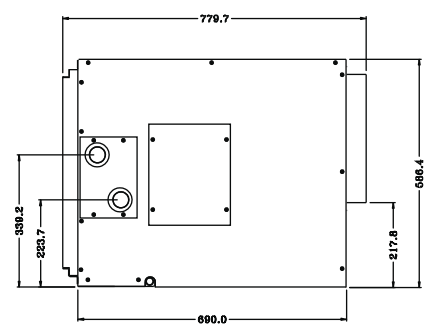
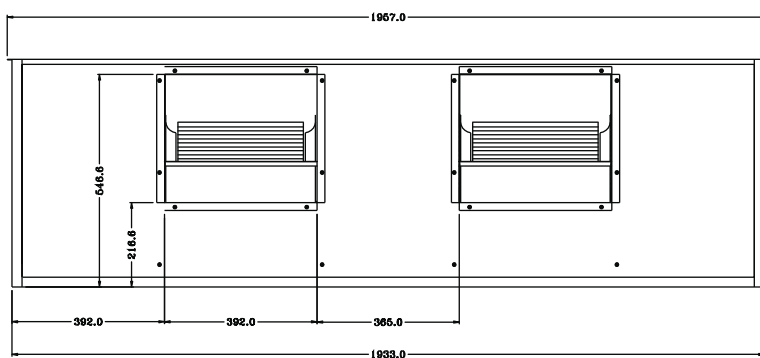


Model : 40LAS009W

## Unit dimensions



Model : 40LAS012W



Model : 40LAS015W

## Performance data

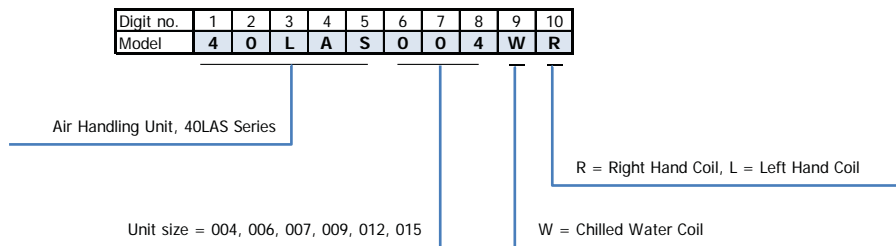
### Ent/Lvg Water Temp 44/54°F Capacity

Ent. Air Temp (Fdb/Fwb)		76 / 63			78 / 65			80 / 67			82 / 69		
Model	Air Flowrate (cfm)	Total Capacity (btu/h)	Sensible Capacity (btu/h)	Water Flowrate (gpm)	Total Capacity (btu/h)	Sensible Capacity (btu/h)	Water Flowrate (gpm)	Total Capacity (btu/h)	Sensible Capacity (btu/h)	Water Flowrate (gpm)	Total Capacity (btu/h)	Sensible Capacity (btu/h)	Water Flowrate (gpm)
40LAS004W3	1,600	36,260	32,240	7.2	42,200	34,390	8.4	48,950	36,700	9.8	57,100	39,180	11.4
40LAS006W3	2,000	47,150	41,140	9.4	54,740	43,870	10.9	63,740	46,920	12.7	74,020	50,010	14.8
40LAS007W3	2,600	60,330	52,970	12.0	70,030	56,440	14.0	81,490	60,380	16.3	94,660	64,310	18.9
40LAS009W3	3,200	75,480	65,910	15.1	87,600	70,230	17.5	102,030	75,160	20.3	118,440	80,060	23.6
40LAS012W3	4,000	96,200	83,200	19.2	111,430	88,630	22.2	130,010	94,910	25.9	150,570	101,050	30.0
40LAS015W3	5,000	113,860	100,680	22.7	132,250	107,470	26.4	154,160	114,980	30.7	179,000	122,440	35.7

### Ent/Lvg Water Temp 45/55°F Capacity

Ent. Air Temp (Fdb/Fwb)		76 / 63			78 / 65			80 / 67			82 / 69		
Model	Air Flowrate (cfm)	Total Capacity (btu/h)	Sensible Capacity (btu/h)	Water Flowrate (gpm)	Total Capacity (btu/h)	Sensible Capacity (btu/h)	Water Flowrate (gpm)	Total Capacity (btu/h)	Sensible Capacity (btu/h)	Water Flowrate (gpm)	Total Capacity (btu/h)	Sensible Capacity (btu/h)	Water Flowrate (gpm)
40LAS004W3	1,600	35,730	32,620	7.1	41,740	34,950	8.3	48,410	37,250	9.7	56,710	39,870	11.3
40LAS006W3	2,000	44,640	40,090	8.9	52,170	42,890	10.4	60,640	45,820	12.1	70,900	48,960	14.1
40LAS007W3	2,600	58,230	52,600	11.6	68,060	56,280	13.6	78,990	60,060	15.8	92,400	64,200	18.4
40LAS009W3	3,200	71,380	64,180	14.2	83,490	68,670	16.7	96,940	73,290	19.3	113,410	78,380	22.6
40LAS012W3	4,000	89,940	80,210	17.9	105,240	85,810	21.0	122,180	91,600	24.4	142,890	97,960	28.5
40LAS015W3	5,000	111,430	101,060	22.2	129,710	108,170	25.9	150,440	115,340	30.0	176,420	123,440	35.2

## Model Nomenclature



### บริษัท แคนเรียร์ (ประเทศไทย) จำกัด

ชั้น 14-15 อาคารเนชั่น ทาวเวอร์  
1858/63-74 ถ.บางนา-ตราด กม. 4.5  
บางนา กรุงเทพฯ 10260  
Tns. 0-2762-9222 แฟกซ์ 0-2751-4778

### Carrier (Thailand) Ltd.

14-15<sup>th</sup> Fl., Nation Tower,  
1858/63-74 Bangna-Trad Road Km. 4.5,  
Bangna, Bangkok 10260 Thailand  
Tel.: 0-2762-9222 Fax: 0-2751-4778



YOUR CARRIER MAN :

Carrier reserves the right to make changes in specifications without prior notice.  
บริษัทฯ ขอสงวนสิทธิ์ที่จะเปลี่ยนแปลงรายละเอียดข้างต้น โดยไม่ต้องแจ้งให้ทราบล่วงหน้า